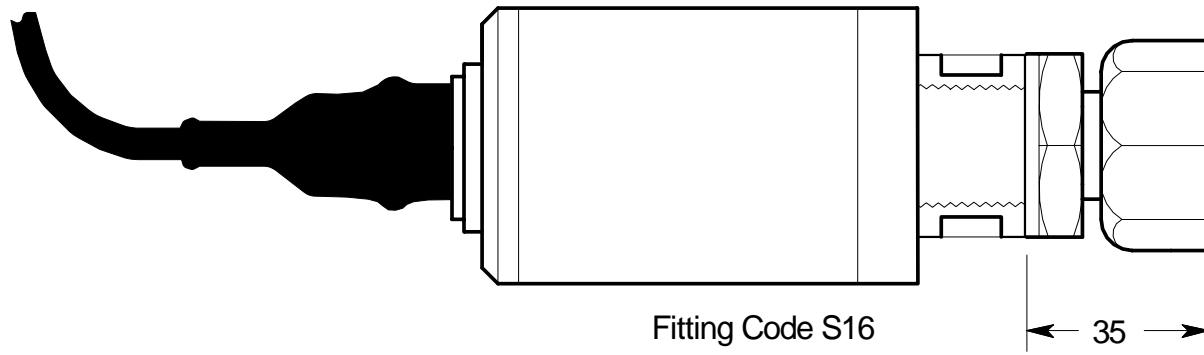


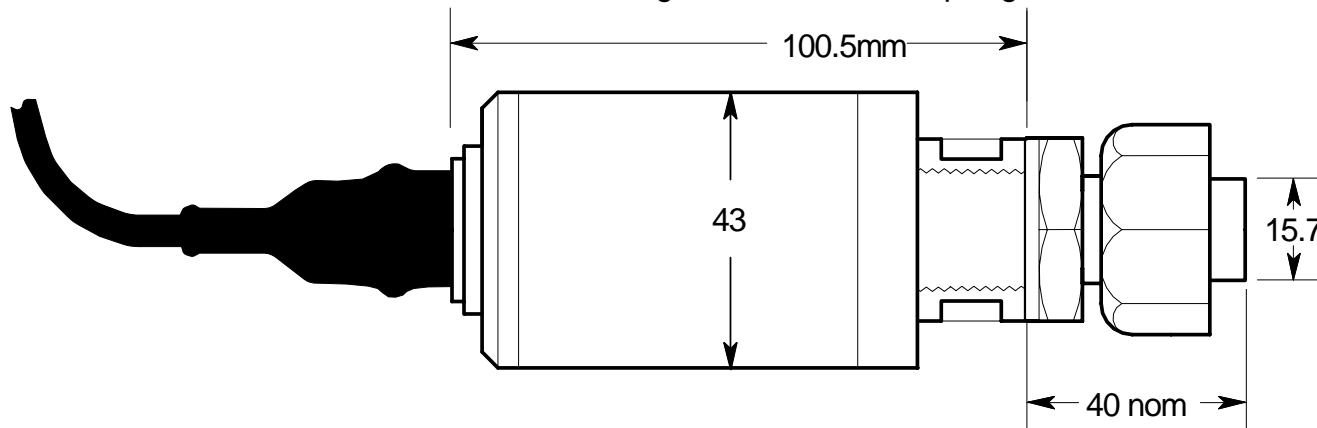
3/4" BSP female running nut connection



Fitting Code S16

35

3/4" BSP female running nut connection with plunger for NRVU



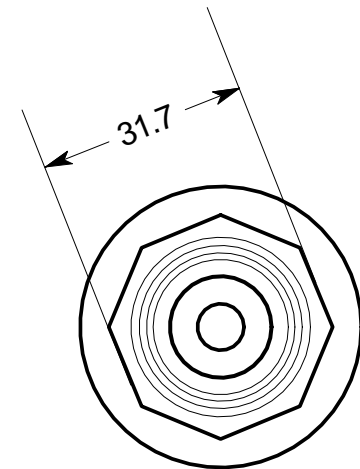
Fitting Code S17

100.5mm

43

15.7

40 nom



31.7

ISSUE	A
DATE	10-09-2009
DCR	
DRAWN	JC
CHECKED	

PSm Instrumentation Ltd

Haywards Heath, West Sussex RH16 1TW
 ph: 44 (0) 1444 410040 f: 44 (0) 1444 410121
<http://www.psm-sensors.co.uk>

SCALE
 NTS

UNLESS OTHERWISE STATED DIMENSIONS ARE IN
 MILLIMETRES / INCHES

TITLE
 iCT with running
 nut connection (ATEX)

DRAWING NO
 S-001323-iCT-GO

A4 SHT 1
 OF 1