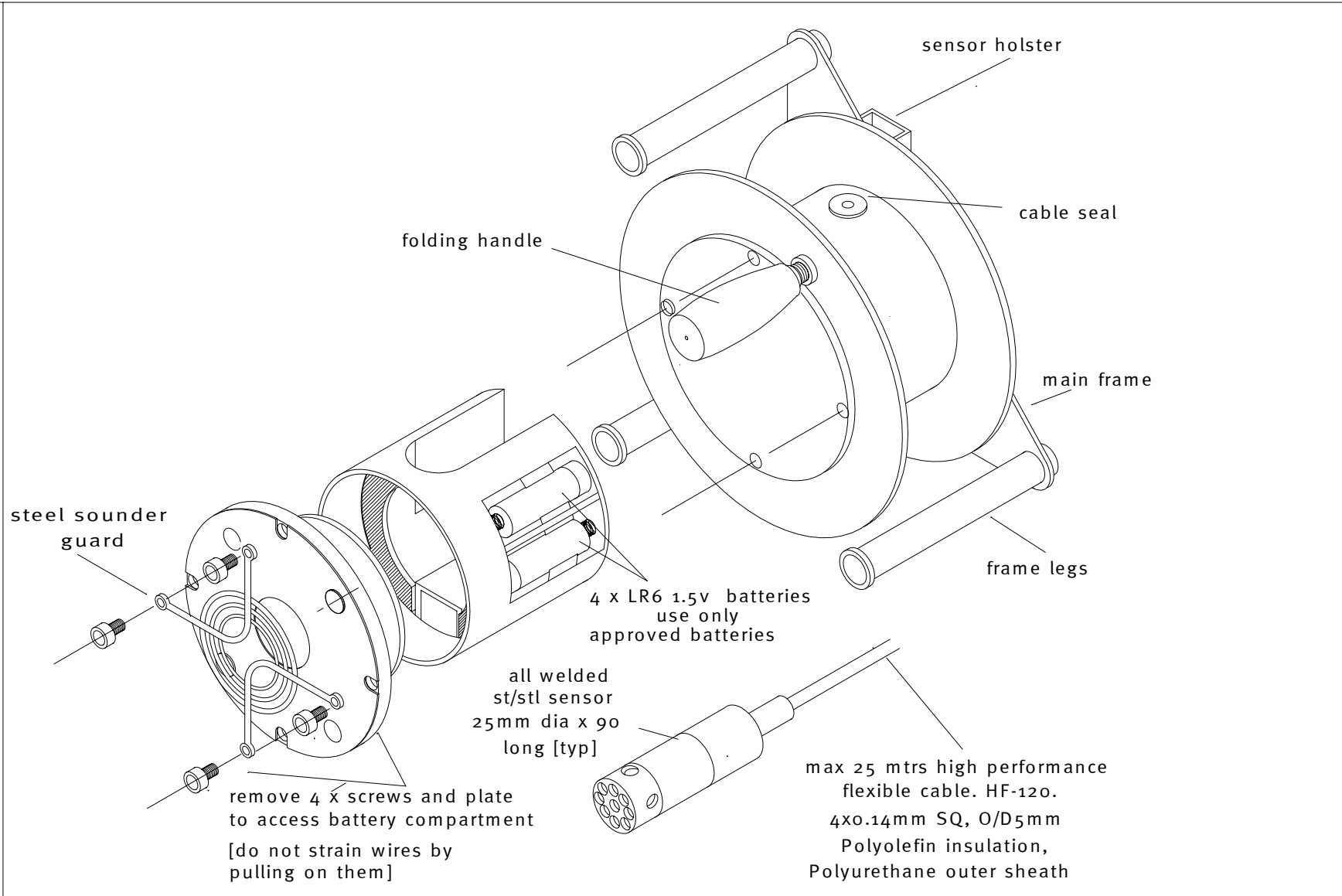


SALES DRAWING ONLY
NOT TO BE USED FOR MANUFACTURE



ISSUE	A	B	C
DATE	07-11-05	01-02-07	29-06-07
DCR	JEK	JEK	JEK
DRAWN	JEK	JEK	JEK
CHECKED			

PSm Instrumentation Ltd
 Haywards Heath, West Sussex RH16 1TW
 ph: 44 (0) 1444 410040 f: 44 (0) 1444 410121
<http://www.psm-sensors.co.uk>

SCALE
NTS

UNLESS OTHERWISE STATED DIMENSIONS ARE IN
MILLIMETRES / INCHES

TITLE
Water in oil detector
exploded drawing

DRAWING NO
S-001268-WIO-AS

A4 SHT 1
OF 1