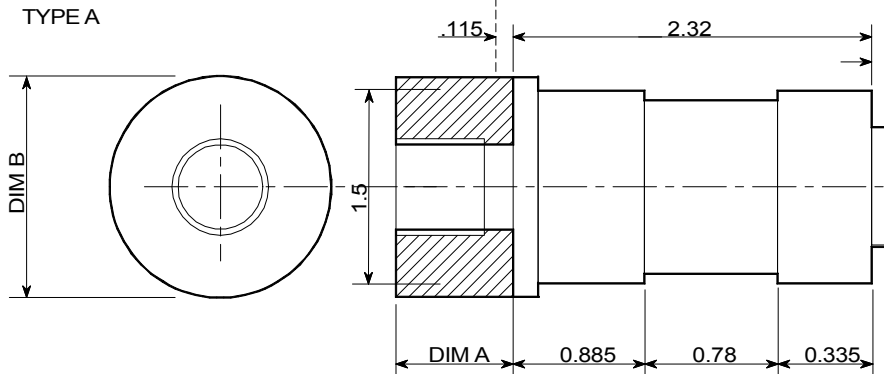
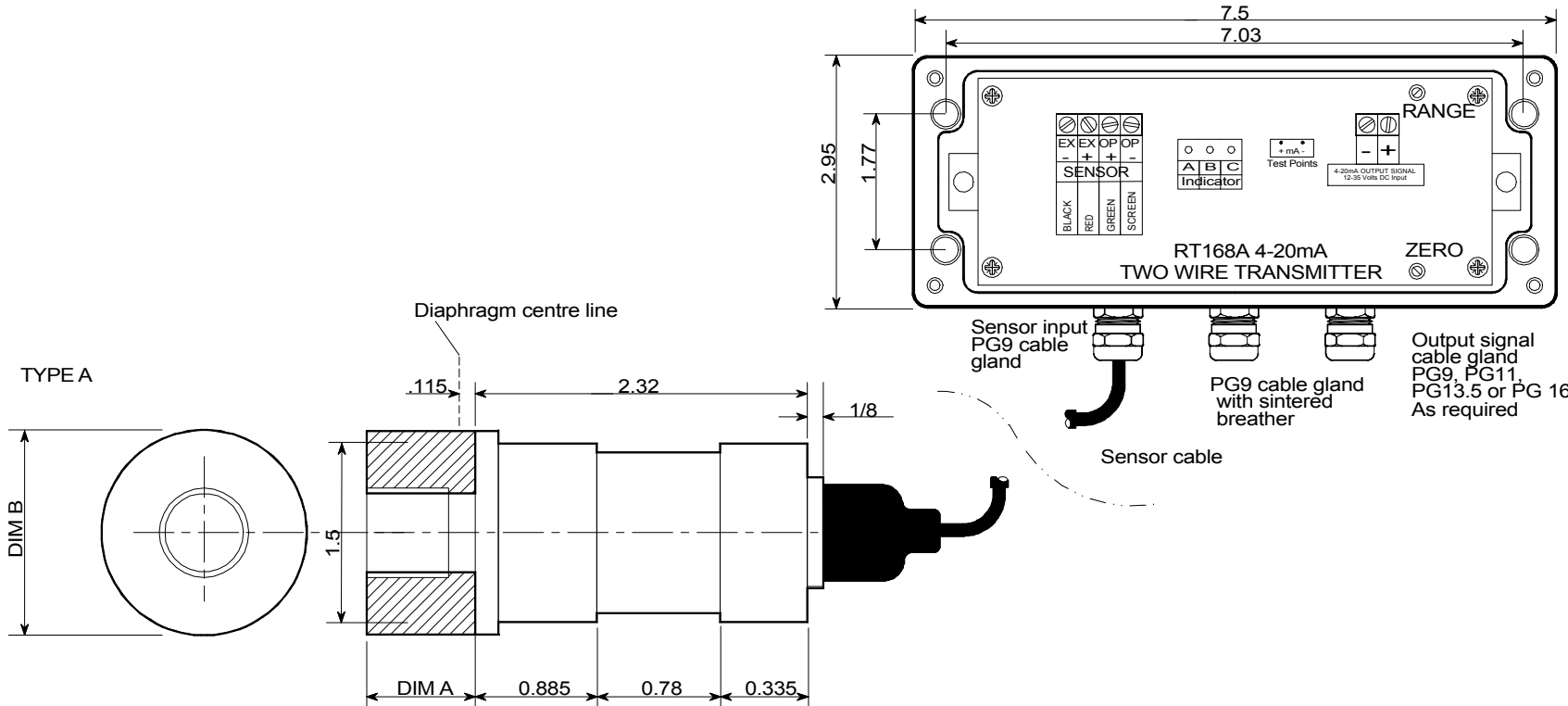


SALES DRAWING ONLY
NOT TO BE USED FOR MANUFACTURE



F CODE	TYPE	DIM A	DIM B	THREAD
F22	A	1	1.734	1" BSP FEM
F32	B	.875	1.860	1/2" BSP FEM
F33	B	.875	1.860	1/4" BSP FEM
F36	B	.875	1.860	1/4" NPT FEM
F38	B	.875	1.860	1/2" NPT FEM
F39	B	.875	1.860	3/4" NPT FEM
F40	A	1	1.734	1" NPT FEM
F43	B	.875	1.860	3/4 BSP FEM

ISSUE	A	B
DATE	29-4-98	19-7-02
DCR		
DRAWN	JEK	JEK
CHECKED	SL	

PSm Instrumentation Ltd

Haywards Heath, West Sussex RH16 1TW
 ph: 44 (0) 1444 410040 f: 44 (0) 1444 410121
<http://www.psm-sensors.co.uk>

SCALE
NTS

UNLESS OTHERWISE STATED DIMENSIONS ARE IN
MILLIMETRES / INCHES

TITLE
260/360 SERIES
FEMALE THREADED

DRAWING NO
S001081-360-DD

A4 SHT 1 OF 1