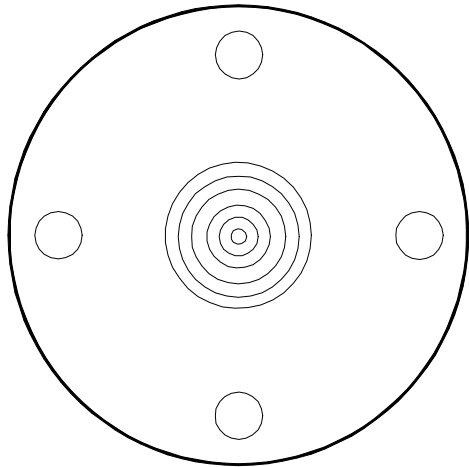
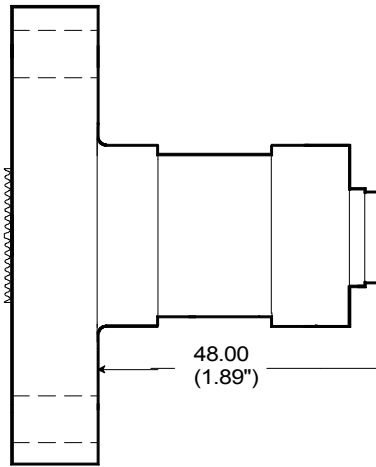


SALES DRAWING ONLY
NOT TO BE USED FOR MANUFACTURE

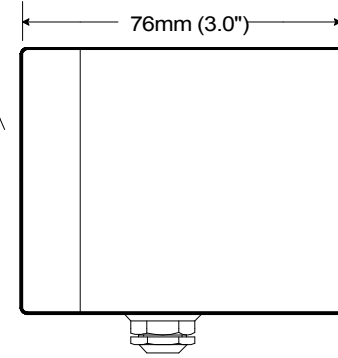
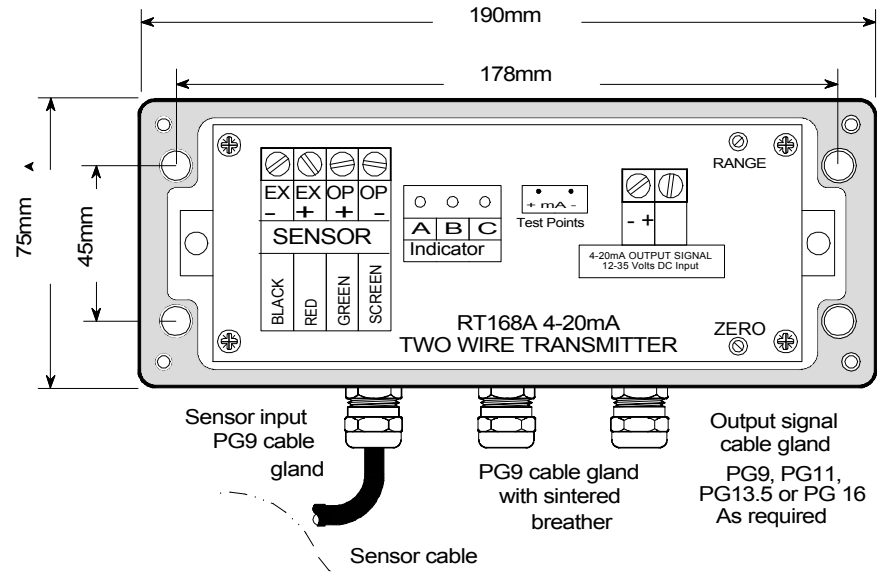
MODEL	FLANGE	HOLES	PCD	HOLE DIA
F31T	DN50 PN16	4	125mm	18mm



38.1
(1.5")



48.00
(1.89")



ISSUE	A	B
DATE	14-5-96	19-7-02
DCR		
DRAWN	JEH	JEK
CHECKED		

PSm Instrumentation Ltd

Haywards Heath, West Sussex RH16 1TW
ph: 44 (0) 1444 410040 f: 44 (0) 1444 410121
<http://www.psm-sensors.co.uk>

SCALE
NTS

UNLESS OTHERWISE STATED DIMENSIONS ARE IN
MILLIMETRES / INCHES

TITLE
360/F31T Flanged
Dimensional Drawing

DRAWING NO
S-001066-0360-DD

A4 SHT 1
OF 1