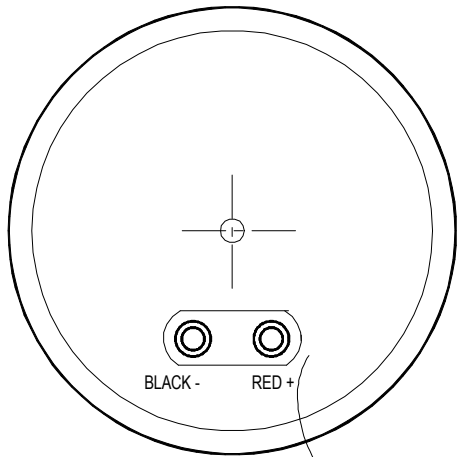
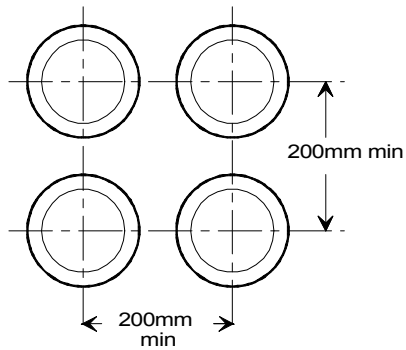


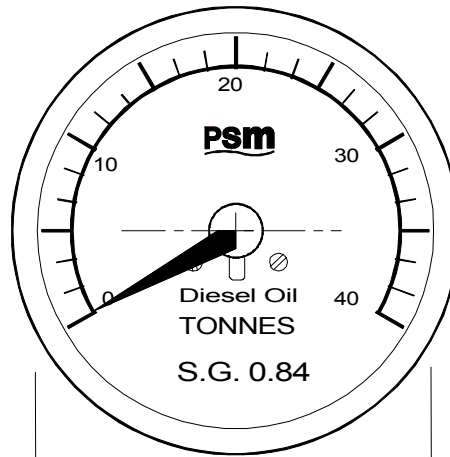
SALES DRAWING ONLY  
NOT TO BE USED FOR MANUFACTURE



TERMINATIONS

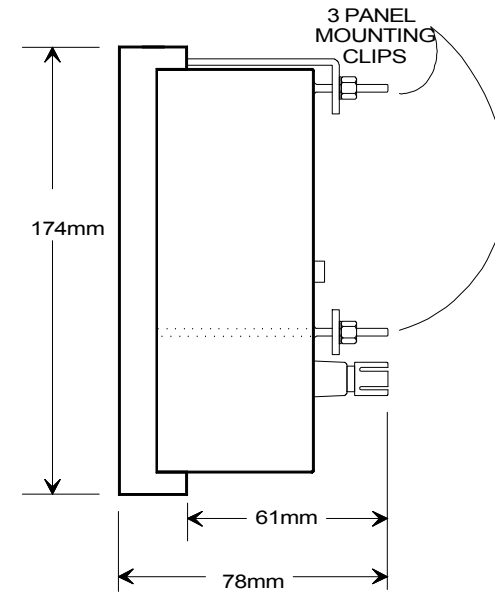


Centre distances for panel mounting



Dial face scaled to suit customer requirements

Panel cut out 160/163mm



ISSUE	B
DATE	08-4-97
DCR	
DRAWN	JEK
CHECKED	

**PSM** Instrumentation Ltd

Haywards Heath, West Sussex RH16 1TW  
ph: 44 (0) 1444 410040 f: 44 (0) 1444 410121  
<http://www.psm-sensors.co.uk>

SCALE  
NTS

UNLESS OTHERWISE STATED DIMENSIONS ARE IN  
MILLIMETRES / INCHES

TITLE  
Series 650 Panel Mounting  
6" dial Electronic Indicator

DRAWING NO  
S-001063-600-DD

**A4** SHT 1  
OF 1